

# FPLF Series Piston Vibrators

**Need Help Now?**

Call 800-842-7284 or visit  
[www.ChicagoVibrator.com](http://www.ChicagoVibrator.com)



**Lightweight**  
**Quiet**  
**Lubrication-Free**

## FPLF Series Lube-Free Pneumatic Piston Vibrators

FPLF Series pneumatic linear vibrators are quiet, and do not require lubrication, making them an ideal solution where use of lubrication is restricted or undesirable. These vibrators are stud-mounted, and include an internal start spring to ensure self-starting when used with a self-exhausting valve.

There are 15 models available, with forces to over 900 pounds. Force and frequency are variable, controlled by adjusting the air pressure. The power-to-weight ratio of these vibrators makes them particularly efficient in feeding applications.

## Standard features & benefits

- Aluminum housing is hard coated and corrosion resistant
- Piston is treated for use without lubricant
- Compact, lightweight, explosion proof
- Low noise output
- Adjustable force and frequency
- Exhaust muffler included

## Available Options & Accessories

- Bin/Hopper/Chute Mounting Kits
- Pipe Mounting Kits
- Air Prep Components
- Air Hoses
- Pneumatic and Electronic Timers

## A few common applications Include:

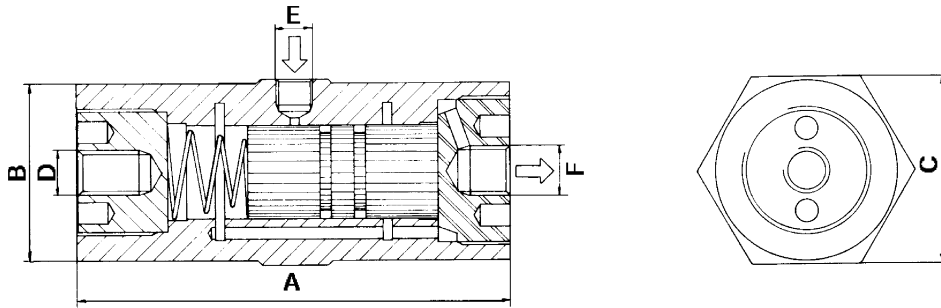
- Food/Pharmaceutical feeding
- Parts feeding
- Light duty vibrating platforms
- Small feeders
- Small Bins & Hoppers
- Small Chutes

FPLF's are a great solution, and there are many models to choose from.

Not sure which is right for your job?

Contact the Houston Vibrator sales team for assistance in choosing the right vibrator and components for your application requirements.

# FPLF Series Technical Data



## Dimensional Data

Model	A		B		C		D	E*	F*	Body Weight		Piston Weight		Total Weight	
	mm	in	mm	in	mm	in				METRIC	BSP	BSP	kg	lbs	kg
FPLF-12-S	71	2.80	31	1.22	34	1.34	M8	1/8"	1/8"	0.125	0.275	0.020	0.045	0.145	0.320
FPLF-12-M	81	3.19	31	1.22	34	1.34	M8	1/8"	1/8"	0.140	0.309	0.030	0.066	0.170	0.375
FPLF-12-L	94	3.70	31	1.22	34	1.34	M8	1/8"	1/8"	0.165	0.360	0.040	0.090	0.205	0.450
FPLF-18-S	81	3.19	40	1.57	42	1.65	M10	1/8"	1/8"	0.220	0.485	0.060	0.135	0.280	0.620
FPLF-18-M	94	3.70	40	1.57	42	1.65	M10	1/8"	1/8"	0.260	0.575	0.080	0.175	0.340	0.750
FPLF-18-L	109	4.29	40	1.57	42	1.65	M10	1/8"	1/8"	0.300	0.660	0.110	0.240	0.410	0.900
FPLF-25-S	98	3.86	48	1.89	50	1.97	M12	1/8"	1/4"	0.375	0.825	0.155	0.345	0.530	1.170
FPLF-25-M	116	4.57	48	1.89	50	1.97	M12	1/8"	1/4"	0.435	0.955	0.215	0.475	0.650	1.430
FPLF-25-L	136	5.35	48	1.89	50	1.97	M12	1/8"	1/4"	0.500	1.100	0.290	0.640	0.790	1.740
FPLF-35-S	98	3.86	58	2.28	65	2.55	M12	1/4"	1/4"	0.530	1.168	0.315	0.694	0.845	1.862
FPLF-35-M	116	4.57	58	2.28	65	2.55	M12	1/4"	1/4"	0.610	1.344	0.430	0.947	1.040	2.292
FPLF-35-L	136	5.35	58	2.28	65	2.55	M12	1/4"	1/4"	0.700	1.543	0.530	1.278	1.280	2.821
FPLF-50-M*	154	6.07	84	3.31	-	-	-	1/4"	1/4"	1.750	3.858	1.500	3.307	3.250	7.165
FPLF-60-M*	154	6.07	94	3.70	-	-	-	1/4"	1/4"	2.100	4.629	2.150	4.740	4.250	9.369
FPLF-95-M*	156	6.15	140	5.52	-	-	-	3/8"	-	4.500	9.921	4.900	10.802	9.400	20.723

\*will accept NPT

## Operational Data

Model	Frequency VPM			Centrifugal Force						Air Consumption/Minute					
	2 Bar	4 Bar	6 Bar	2 Bar	29 PSI	4 Bar	58 PSI	6 Bar	87 PSI	2 Bar	29 PSI	4 Bar	58 PSI	6 Bar	87 PSI
	29 PSI	58 PSI	87 PSI	N	Lb	N	Lb	N	Lb	Litr	CF	Litr	CF	Litr	CF
FPLF-12-S	6.2	7.8	9.3	34	7.7	70	16	92	21	0.8	0.03	7.5	0.26	25.0	0.80
FPLF-12-M	5.0	6.0	6.7	34	7.6	58	13	74	17	0.5	0.02	4.0	0.14	19.0	0.67
FPLF-12-L	4.0	4.8	5.4	32	7.2	58	13	81	18	1.0	0.04	3.0	0.11	20.0	0.71
FPLF-18-S	5.0	6.4	7.7	66	15	134	30	187	42	5.0	0.18	33.0	1.16	57.0	2.00
FPLF-18-M	4.0	5.0	5.9	68	15	134	30	188	42	4.0	0.14	28.0	1.00	52.0	1.84
FPLF-18-L	3.1	4.0	4.6	64	14	150	34	206	46	5.0	0.18	23.0	0.81	46.0	1.62
FPLF-25-S	3.6	4.3	5.5	126	28	270	61	416	94	13.0	0.46	54.0	1.91	93.0	3.28
FPLF-25-M	3.0	3.8	4.2	142	32	364	82	504	113	23.0	0.81	50.0	1.76	87.0	3.07
FPLF-25-L	2.4	3.1	3.7	186	42	392	88	594	134	18.0	0.64	62.0	2.19	93.0	3.28
FPLF-35-S	3.8	4.7	5.8	294	66	668	150	1038	234	23.0	0.81	101.0	3.56	162.0	5.72
FPLF-35-M	3.0	4.0	4.6	248	56	778	175	1080	243	24.0	0.84	83.0	2.93	141.0	4.98
FPLF-35-L	2.4	3.1	3.6	282	63	680	153	1066	240	38.0	1.34	89.0	3.14	135.0	4.77
FPLF-50-M*	1.9	2.3	2.8	490	110	970	218	1600	360	48.0	1.67	100.0	3.48	190.0	6.61
FPLF-60-M*	2.0	2.4	2.7	610	137	1400	315	2170	489	90.0	3.13	160.0	5.57	270.0	9.39
FPLF-95-M*	1.8	2.4	2.8	1500	338	2620	590	4270	962	170.0	5.91	320.0	11.1	450.0	15.70

Distributed By:

  
**ChicagoVibratorProducts**  
*Flow and Compaction*  
 Division of CVP Group  
 800-842-7284 (P)  
 866-247-7538 (F)  
 Solutions@ChiVib.com  
 www.ChicagoVibrator.com

